

## **EG40 PLUS** Video Tripod System

Heavy duty fluid tripod kit EG40 PLUS, assembled with the GH40 PLUS specifically designed to support Film and Studio cameras weighing up to 40kg (88lbs) while the leg is EAT150 the max.load can reach 100kg. The head and legs feature a 150mm ball/bowl, which provides a wide support platform. The tripod extends to a height of 178.5cm and collapses down as low as 100.5cm. A kit bag is included.



### Specifications:

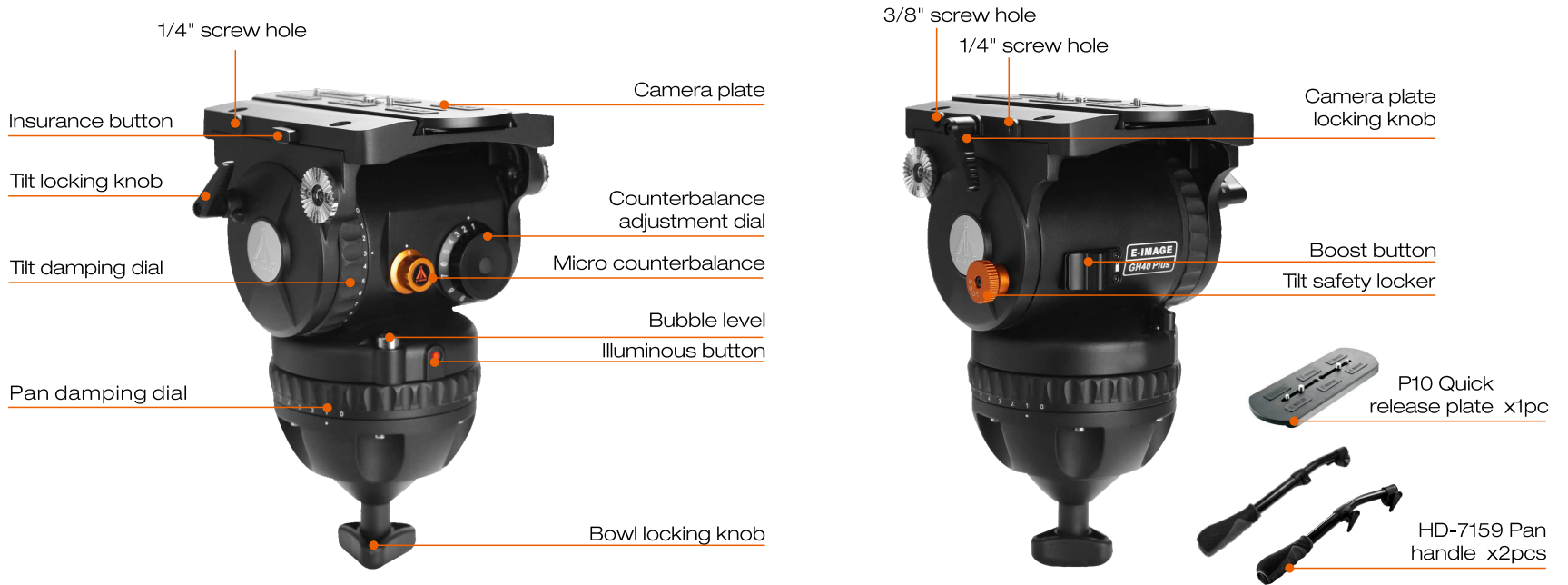
Payload	40.0kg / 88.0lbs
Height range	100.5-178.5cm / 39.6-70.3in
Transport length	115.5cm / 45.5in
Net weight	18.3kg / 40.3lbs
Bowl size	150mm

### What's included:

Head	GH40 PLUS
Tripod	EAT150
Packing	Head (Box packing), Tripod (SC-4 Carry bag)

## GH40 PLUS 150mm Fluid Head

The GH40 PLUS fluid head features 1-9 grades of counterbalance with micro knob for precise counterbalance. 12 steps(0-11) drag in both pan and tilt for smooth movement. Designed with tilt safety lock for camera safety. 2 types of selectable payload between 40kg and 27kg for your best setting. A built-in illuminated bubble level to assist balancing in darkness and extendable dual pan handles are included.



### Features



0-11 grades of pan & tilt drag for smooth movement.



1-9 grades of counterbalance with micro knob for precise counterbalance.



Always keep it safety when no operation.



Switch dial knob for different payload.



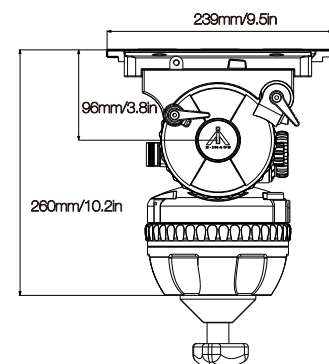
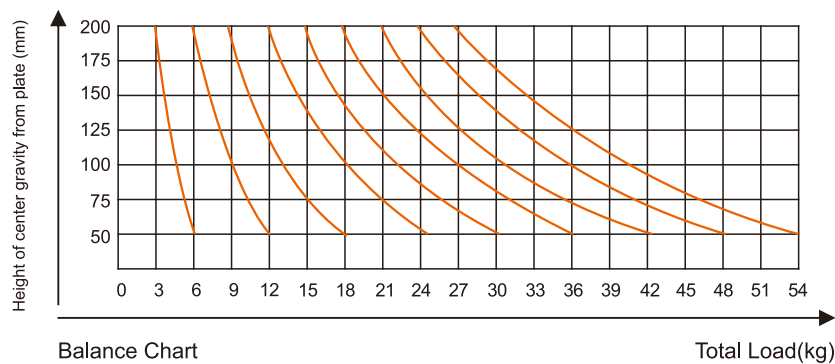
P10 quick release plate with an extra 205mm (8.1in) sliding range.

### Specifications

	Payload	40.0kg / 88.0lbs
	Counterbalance	1-9
	Grades of pan drag	0-11
	Grades of tilt drag	0-11

	Tilt range	-70°~+90°
	Temperature range	-40°C~+80°C
	Net weight	8.8kg / 19.4lbs
	Bowl size	150mm

### Counterbalance Graph

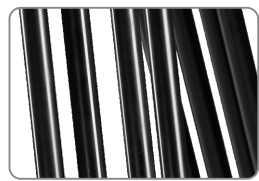


## EAT150 150mm Video Tripod

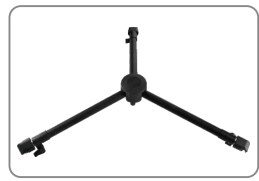
This EAT150 features a 150mm bowl base with the dual-aluminium leg construction, supports payload up to 100kg (220lbs). An extendable mid-spreader improves stability when you adjust the working height from 78 cm to 156 cm (30.7in-61.4in). Removable rubber feet attached for working on delicate or hard surfaces.



150mm bowl size.



High quality aluminum tube.



Adjustable middle spreader adding extra stability.

**100** kg  
Payload



Ergonomic hand locking knob.



Spike foot & Big rubber are both available.

### Specifications:

Payload	100.0kg / 220.0lbs
Height range	78.0-156.0cm / 30.7-61.4in
Transport length	92.5cm / 36.4in
Net weight	9.5kg / 20.9lbs
Bowl size	150mm
Sections	2
Material	Aluminum



### SC-4 Carry bag

Full padded portable carrying bag providing good protection during movement.

### Recommend accessories



**GS03** Ground spreader

**EI-7005** Dolly

**EI-7005B** Dolly

**EI-7006** Dolly

**EI-7007** Dolly